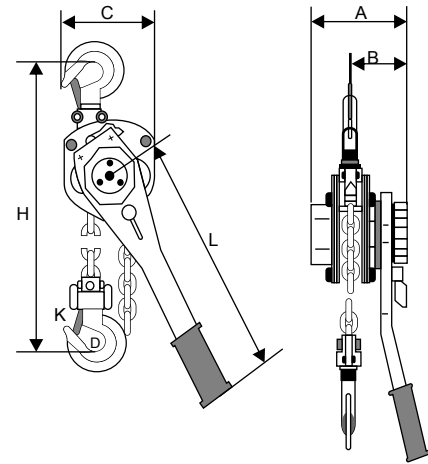


## Ratchet Lever Hoist



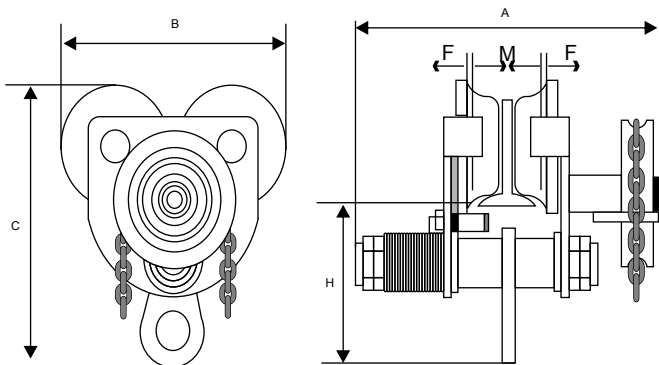
Capacity	Tons	0.75	1.5	3	6
Standard Lift	m	1.5	1.5	1.5	1.5
Running Test Load	KN	11	22.5	37.5	75
Effort Required to Lift	N	140	220	320	340
Strand of Load Chain		1	1	1	2
Load Chain Diameter	mm	6	8	10	10
Dimensions (mm)	A	145	175	203	203
	B	86	100	118	118
	C	122	130	150	205
	D	37	45	50	64
	H	320	380	480	620
	L	280	410	410	410
	K	30	36	40	50
Net Weight	Kg	7.5	11.5	21	31.5
Extra weight per meter of extra lift	Kg	0.8	1.4	2.2	4.4



- ❖ German Design and Technology
- ❖ Grade 80 Alloy Steel Chain
- ❖ Safety latch on Hooks
- ❖ Light weight and Compact.

- ❖ Superior Asbestos free Break
- ❖ Low Operation effort
- ❖ Anti corrosive Powder Coated Finish.
- ❖ Use it to Lift, Lower Fasten and Pull.

## Geared Trolley



### TECHNICAL SPECIFICATION

Capacity	I-beam Width	N.W./KG S	A B C H			
			A	B	C	H
0.5t	68-94	7.8	233	165	172	108
1.0t	68-100	10.2	255	185	208	134
2.0t	94-124	15.5	301	226	253	162
3.0t	116-140	25.5	343	278	305	191
5.0t	140-180	39.5	415	325	369	233
10t	125-180	100	442	389	490	275
20t	122-203	215	475	798	575	300

- ❖ Anti corrosive powder coated finish
- ❖ Adjustable to various rail widths
- ❖ Use of high quality bearings