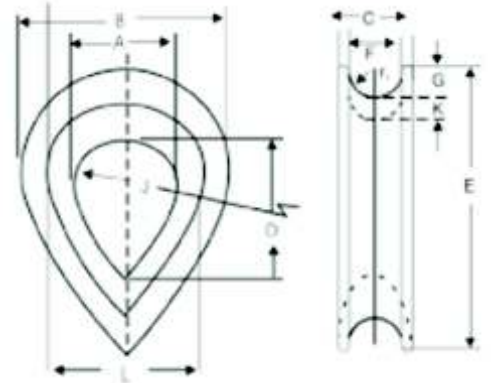


Thimble for Wire Rope

All Dimensions in millimeters.

Nominal Size of Rope	A	B	*C Min	D	E	*F min	G	r1	J Approx	K	L
8	22	38	13	34	54	9	4	3.5	62	4	30
10	24	46	15	38	64	11	6	5.5	76	5	34
12	32	60	19	44	80	13	8	7.5	90	6	44
16	40	72	23	58	98	17	8	7.5	114	8	56
20	50	94	31	74	124	21	12	11	150	10	70
22	58	102	34	82	134	24	121	11	165	10	78
25	70	118	37	108	162	27	14	13	200	10	90
32	96	152	44	134	196	34	16	15	250	12	120
35	1004	174	48	152	228	38	19	18	300	16	136
38	114	198	54	165	254	41	24	22	330	18	150
41	114	198	56	165	254	44	24	22	330	18	150
44	125	222	57	178	285	47	26	24	355	25	175
48	134	246	67	190	315	51	28	26	380	28	190
51	140	256	70	330	330	55	30	28	400	28	196
64	156	308	95	240	400	69	44	41	450	32	220
70	200	400	120	275	500	75	60	52	480	40	280



Note: For wire of intermediate size, the next larger size of thimble shall be used. These dimension are minimum for thimbles of nominal size up to and including 41 only

Drum Lifter



WLL / PAIR (t)	(mm)
1	500

- ❖ Application: For Lifting and transporting oil drum.
- ❖ Material: Low carbon alloy steel forging.
- ❖ Load rage: 1 ton
- ❖ Chain specification: 6 x 18 mm.
- ❖ One piece of clamp is used for the testing, one piece is recommended for lifting operation
- ❖ The Loaded object shall not touch anything when operating over load is prohibited
- ❖ Tested load is 2 times of working load.
- ❖ Durable enduring, easy operation, lifting more steady, the safety is stronger.