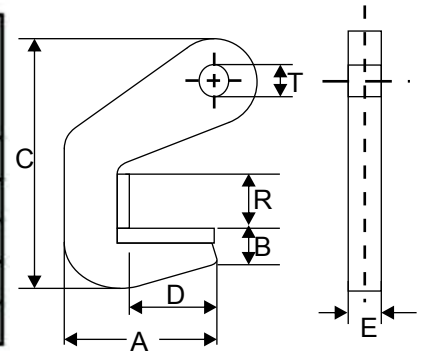


Safelift® Pipe Lifting Clamp

ISO 9001-2008 | CE



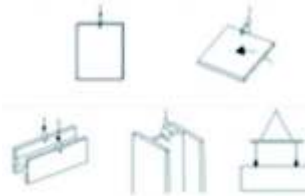
Capacity / pair (Kg)	Opening Size (R = mm)	A	B	C	D	E	T	Net Weight (Kg)
1500	40	120	32	195	75	36	13	2.2
3000	40	120	32	195	75	40	13	2.5
4000	50	120	32	205	75	40	25	3
6000	50	120	32	205	75	44	25	3.3
8000	70	120	32	255	75	44	25	4.5



Vertical Plate Lifting Clamp



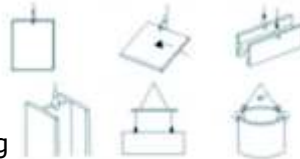
Cap (T) PC	Weight Kg	Plate Size (mm) Min Max
1	3.5	0-30
2	5	0-40
3	6	0-45
5	7.5	0-55
10	28	0-140
16	50	50-150



- ❖ Application: Vertical Lifting of steel Plate.
- ❖ Load Range: 1 ton to 16 tons.
- ❖ One piece of clamp is used for the testing and one or two pieces are recommended for lifting operation.
- ❖ Tested load is 2 times of working load.

Universal Vertical Plate Lifting Clamp

- ❖ Application: Vertical Lifting of steel Plate.
- ❖ Load Range: 1 ton to 10 tons.
- ❖ One piece of clamp is used for the testing and one or two pieces are recommended for lifting operation.
- ❖ Tested load is 2 times of working load.
- ❖ The handle is facility, the way of hoisting is broader.



Cap (T) PC	Weight Kg	Plate Size (mm) Min-Max
1	5.5	0-15
2	6	0-20
3	10	0-25
5	18	0-30



Horizontal Plate Lifting Clamp



Cap (T) PC	Weight Kg	Plate Size (mm) Min-Max
1	3.5	0-30
2	5	0-40
3	6	0-45
5	7.5	0-55
10	28	0-140
16	50	50-150



- ❖ Application: Horizontal Lifting of steel Plate.
- ❖ Material: Low carbon alloy steel.
- ❖ Load Range: 1 ton to 16 tons.
- ❖ two pieces of clamp is used for the testing but two or four pieces are recommended for lifting operation.
- ❖ Durable enduring, easy operation.